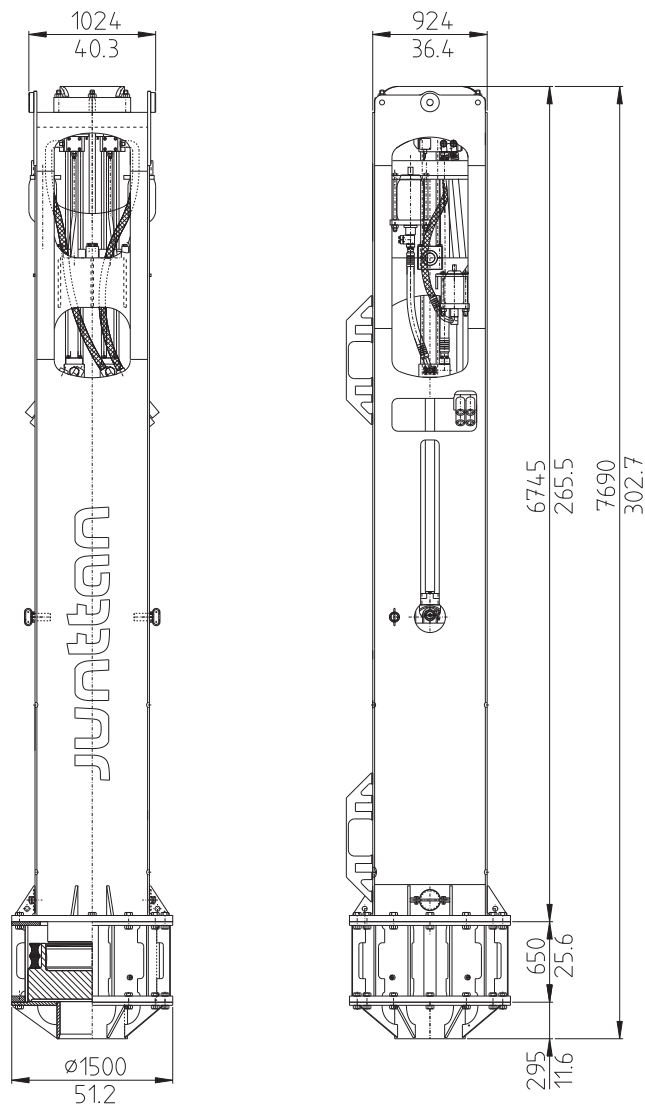


Hydraulic Impact Hammer HHK 10S



JUNTTAN HHK 10S

Max. energy		147 kNm	108 495 ft-lb
Max drop height		0,05 – 1,5 m	0,16 – 4,92 ft
Blows per minute		30 – 100	30 – 100
Ram weight		10 000 kg	22 046 lb
Total weight	including A-type drive cap	16 700 kg	36 817 lb
Oil flow		657 l/min	174 gpm
Operating pressure		145 bar	2 103 psi
Theoretical power output		159 kW	216 hp
Hoses			
	– pressure line	2 x 38 mm	2 x 1 ½ inch
	– return line	2 x 38 mm	2 x 1 ½ inch
Drive cap housing (std)	Ø:	1 080 mm	42.5 inch
Drive cap types	A-type:	for metal tubes	for metal tubes
	B-type:	for concrete piles	for concrete piles
Drive cap max. inner diameter	A-type:	Ø 1 050 mm	41.3 inch
	B-type:	□ by special request	by special request
Larger drive cap diameters available on special request			
Suitable Piling Rigs		PM26, PM28, PM30	PM26, PM28, PM30
Suitable Powerpacks		15CCU – 30CCU	15CCU – 30CCU

Accessories

* Guide claws		* Lifting cat
* Extensions		* Flying leader
* Energy measurement device		* Additional noise insulation package
* Additional drive caps		* Powerpacks
* Pile sleeves		

Technical details with extensions

JUNTTAN HHK 10/12/14S	12T	14T	12T	14T
Max. energy	177 kNm	206 kNm	130 194 ft-lb	151 893 ft-lb
Max drop height	1,5 m	1,5 m	4,92 ft	4,92 ft
Blows per minute	30 – 100	30 – 100	30 – 100	30 – 100
Ram weight	12 000 kg	14 000 kg	26 455 lb	30 865 lb
Total weight including A-type drive cap	19 400 kg	22 100 kg	42 770 lb	48 722 lb
Oil flow	657 l/min	657 l/min	657 gpm	657 gpm
Operating pressure	174 bar	203 bar	2 524 psi	2 944 psi
Theoretical power output	191 kW	222 kW	259hp	302 hp
Suitable Piling Rigs	PM26, PM28, PM30	–	PM26, PM28, PM30	–
Suitable Powerpacks	15CCU – 30CCU	15CCU – 30CCU	15CCU – 30CCU	15CCU – 30CCU

Junttan

Junttan Oy
P.O. Box 1702 (Matkuksentie 7)
FI-70701 KUOPIO, Finland

Tel. +358 10 195 221
Fax +358 17 287 4411
junttan@junttan.com