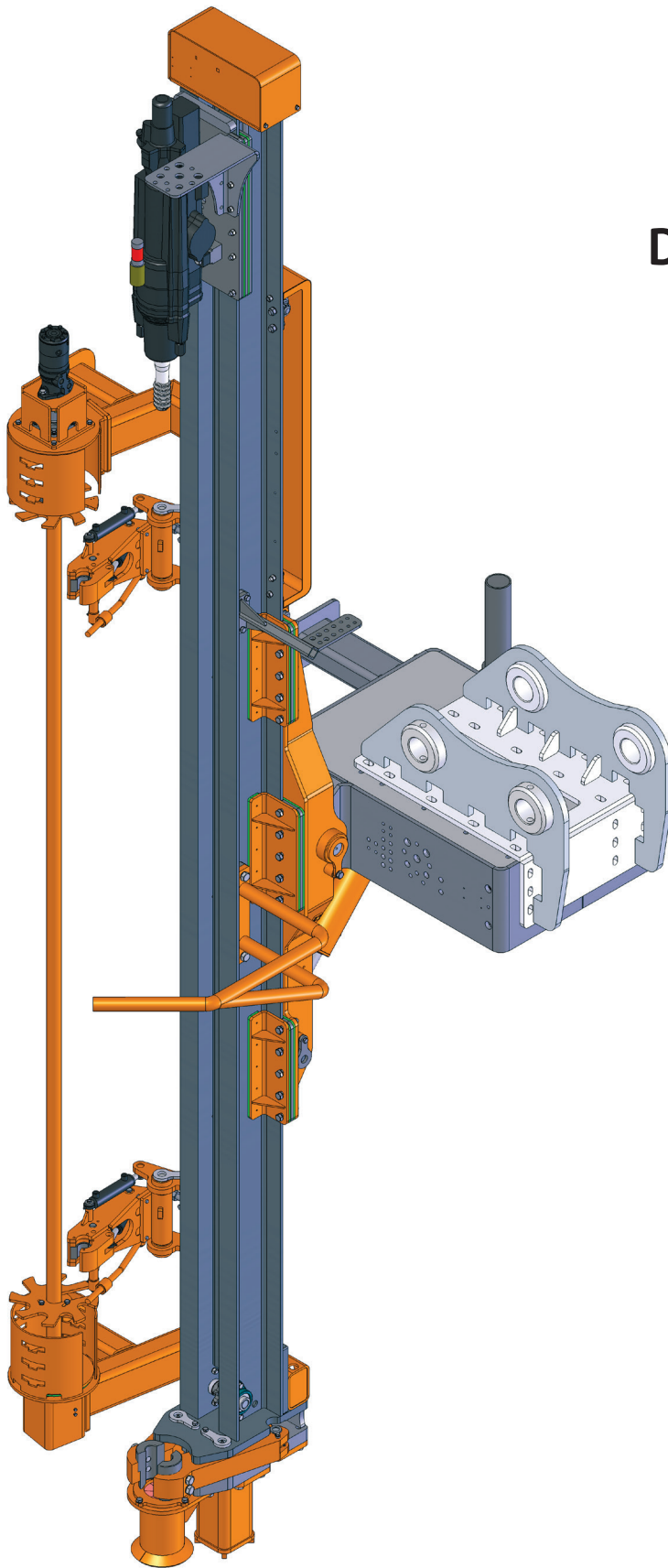


45A  
**Drilling Attachment**



## Drifter

Manufacturer		Doofer
Type		DF600S
Impact power	kW	20
Max input power to rock drill	kW	33
Impact energy	J	264
Hydraulic pressure, max	bar	140
Torque, max	Nm	1645
Impact frequency	Hz	70 - 80

## Dimensions and weights

Weight	kg	2600 (w/o coupling)
Length	mm	6200
Width	mm	2500 + 200
Height	mm	1600 (w/o coupling)

## Drill Steel

Hole range	mm	51 - 102
Drill steel		T38/T45/T51

## Dust collector

Model		HSL900
Filter area	m <sup>2</sup>	14,4
Number of filter elements	pcs	12
Suction capacity (max. nominal)	l/s	800
Suction hose diam	mm	127
Cleaning air pressure, max	bar	7
Cleaning air consumption	l/pulse	40

## Compressor

Type		Screw
Model		PTR60
Capacity	lpm	6000
Working pressure	bar	7

## Feed system

Feed extension	mm	1000
Feed force, max	kN	19
Tractive pull, max	kN	19
Total length	mm	6100
Travel length	mm	4270

## AutoDrill drilling automatic system

Pressure adjustments during drilling	standard
X / Y angles with lights and numbers	standard
Penetration rate	standard
Hole depth	standard
Stop depth form surface	standard
Stop depth from laser level	option
Reading of hydraulic oil temperature	standard

## Accessories

Boom camera	option
Laser receiver	option
Central lubrication system	option
Extra mounting kit for additional excavator	option
GPS system	option

## Hydraulic system

Controls	AutoDrill automatic drilling with CAN-control from excavator cabin
Anti-jamming	Anti-jamming integrated in AutoDrill automatic drilling in all models
Oil cooling	Cooler for compressor motor return flow is available

## Carrier requirements

Weight	tn	24 - 40
Flow / pressure for drilling	LPM @ Bar	230 @ 150
Flow / pressure for compressor	LPM @ Bar	145 @ 150
Flow / pressure for dust collector	LPM @ Bar	50 @ 150
Total flow / pressure; min	LPM @ Bar	290 @ 150
Total flow / pressure; max	LPM @ Bar	425 @ 150
Power requirement for engine	kW (min/max)	95 /140