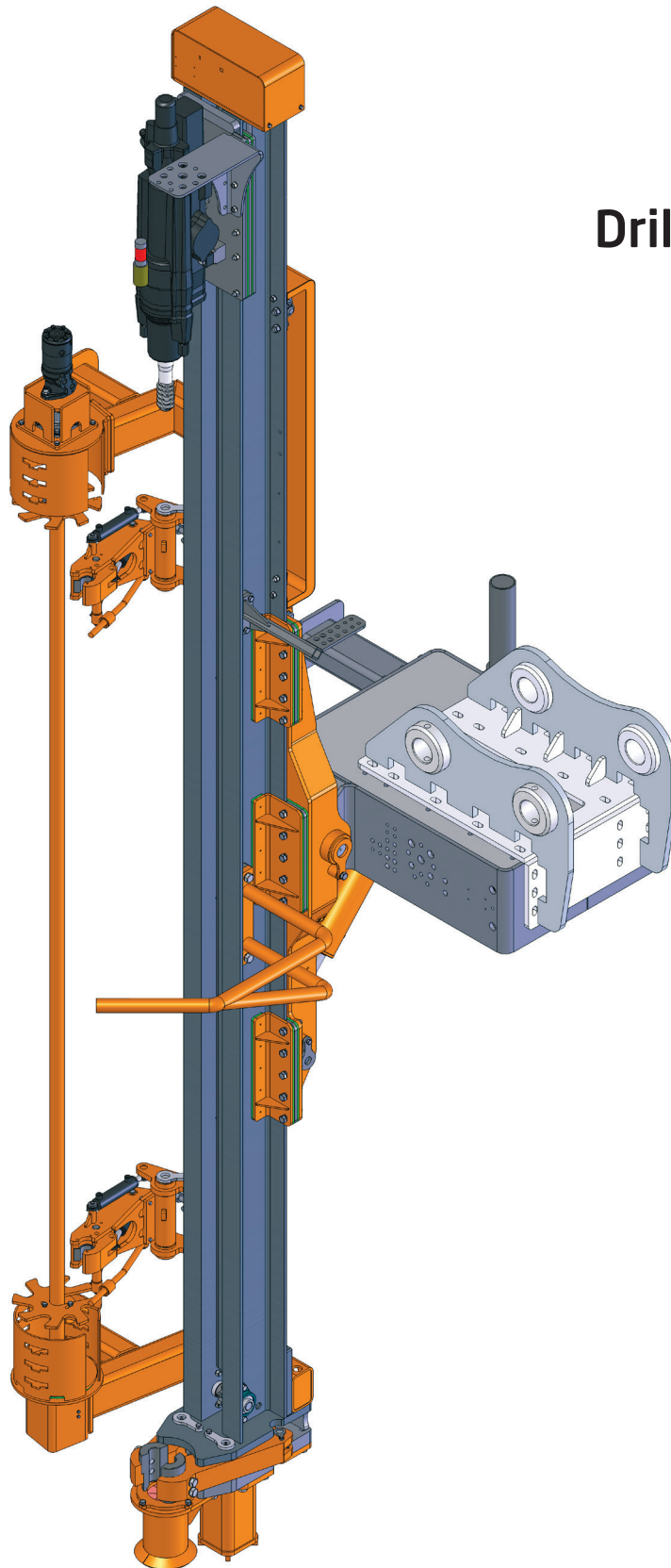


51A
Drilling Attachment



Drifter

Manufacturer		Doofer
Type		DF700S
Impact power	kW	22
Max input power to rock drill	kW	36
Impact energy	J	330
Hydraulic pressure, max	bar	140
Torque, max	Nm	1650
Impact frequency	Hz	65 - 75

Dimensions and weights

Weight	kg	2600 (w/o coupling)
Length	mm	6200
Width	mm	2500 + 200
Height	mm	1600 (w/o coupling)

Drill Steel

Hole range	mm	76 - 127
Drill steel		T45/T51

Dust collector

Model		X-125
Filter area	m ²	8
Number of filter elements	pcs	2
Suction capacity (max. nominal)	l/s	800
Suction hose diam	mm	127
Cleaning air pressure, max	bar	7
Cleaning air consumption	l/pulse	20

Compressor

Type		Screw
Model		PTR70
Capacity	lpm	7000
Working pressure	bar	7

Feed system

Feed extension	mm	1000
Feed force, max	kN	19
Tractive pull, max	kN	19
Total length	mm	6100
Travel length	mm	4270

AutoDrill drilling automatic system

Pressure adjustments during drilling	standard
X / Y angles with lights and numbers	standard
Penetration rate	standard
Hole depth	standard
Stop depth form surface	standard
Stop depth from laser level	option
Reading of hydraulic oil temperature	standard

Accessories

Boom camera	option
Laser receiver	option
Central lubrication system	option
Extra mounting kit for additional excavator	option
GPS system	option
Rod magazine for 7 rods	option

Hydraulic system

Controls	AutoDrill automatic drilling with CAN-control from excavator cabin
Anti-jamming	Anti-jamming integrated in AutoDrill automatic drilling in all models
Oil cooling	Additional oil-cooler is available

Carrier requirements

Weight	tn	32 - 45
Flow / pressure for drilling	LPM @ Bar	250 @ 150
Flow / pressure for compressor	LPM @ Bar	170 @ 150
Flow / pressure for dust collector	LPM @ Bar	44 @ 140
Total flow / pressure; min	LPM @ Bar	320 @ 150
Total flow / pressure; max	LPM @ Bar	470 @ 150
Power requirement for engine	kW (min/max)	105 /150