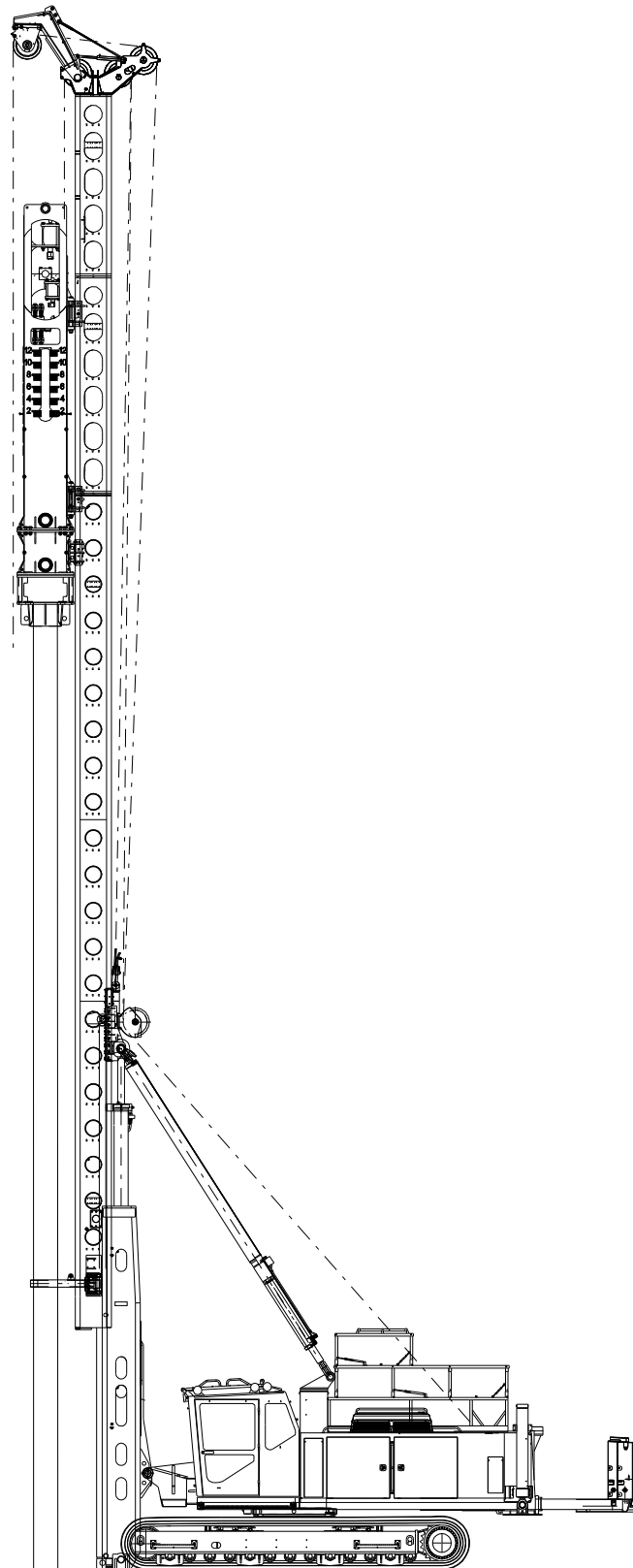


Junttan

Pile Driving Rig
PM25LC



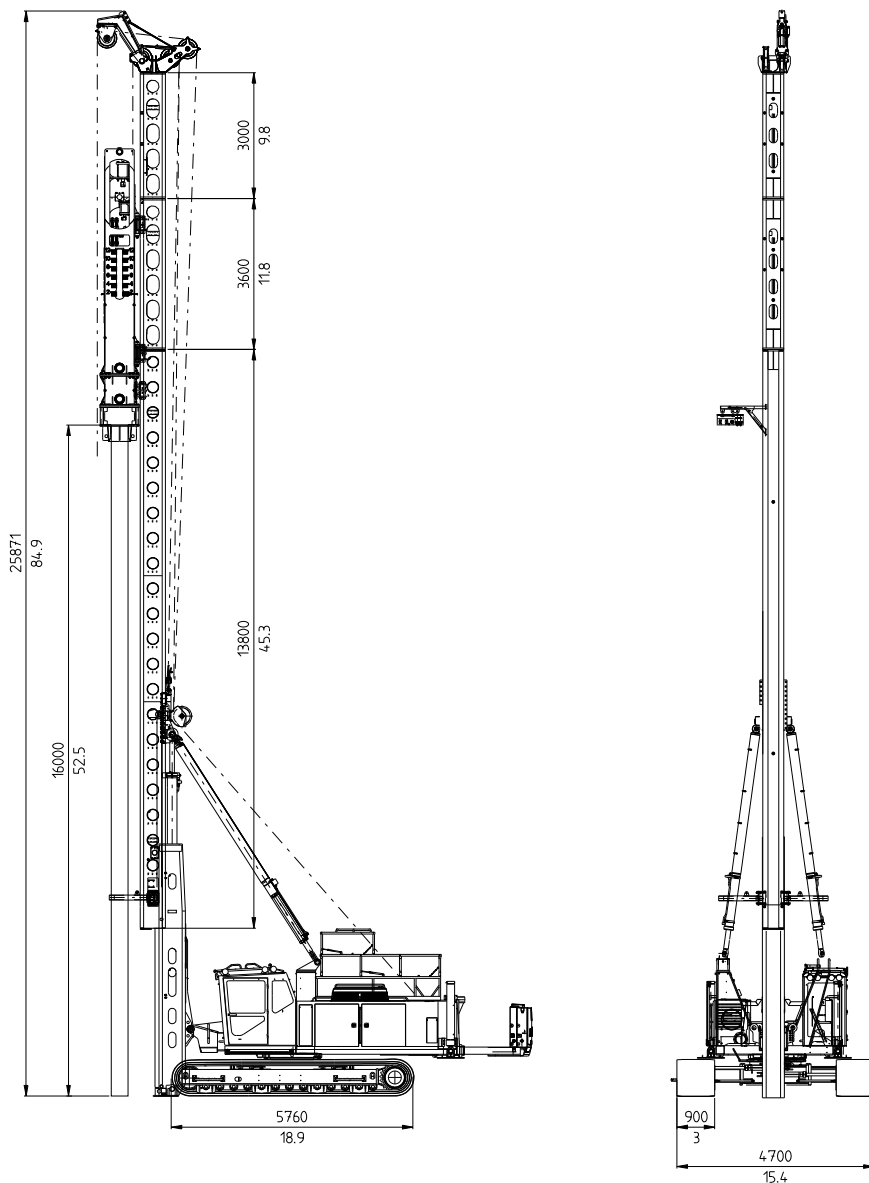
Original
Junttan
product

DATA SHEET

General Information

Junttan PM25LC is a medium weight piling rig designed for driving steel and concrete piles. The rig has excellent stability and wide leader inclination angles. The recommended ram hammer weight is from 5 000 to 7 000 kg (11 000 lb to 15 400 lb) and the maximum pile length is 22 meters (72 ft). The rig has proven productivity. The telescopic leader ensures easy and fast handling of piles. Top pile driving performance is guaranteed with Junttan hydraulic hammers. An optional side drill or vibrator hammer makes pile driving even more efficient in some soil conditions. With optional Junttan equipment, optimised working set-up of the rig can be easily achieved.

This Junttan piling rig has the all proven Junttan features. Its rugged design makes it a safe and reliable rig even in the most demanding working conditions. The self-erecting leader and many advanced technical features ensure that the rig is ready to work in just a few minutes. The ergonomic and safety tested cabin allows the driver to concentrate completely on his work. The expandable tracks and low centre of gravity make the rig exceptionally stable in different working situations. The horizontal movement of the leader ensures fast spotting of the pile. In spite of larger size the rig can be still easily transported to a new working site.



PM25LC with standard leader configuration (HHK5/7A hammer)

* Final measures depends e.g. on the chosen hammer and the cathead.

Technical Data

Basic features

Nominal operational weight		70 000 kg	154 300 lb
Leader capacity		18 000 kg	39 700 lb
Winch capacity	Pile:	10 000 kg	22 000 lb
	Hammer:	10 000 kg	22 000 lb
	Auxiliary:	5 000 kg	11 000 lb
Recommended hammer type		HHK5/7A	HHK5/7A
Maximum pile length (HHK5/7A)		22 m	72 ft

Uppercarriage

Type		Junttan PM25LC	
Engine	Type:	Cummins QSC8.3	
	Power:	227 kW	304 hp
	Fuel tank:	420 liters	110 gal
Hydraulic system	Max flow:	2x214 + 126 lpm/2000rpm	2x56.5 + 33.3 gpm/2 000rpm
	Max pressure:	320 bar	4 640 psi
	Cooling system:	2xEmmegi HPA36	
	Oil tank:	670 liters	177 gal
Slew drive		Single drive, double row slewing ring	
Counterweight	Extendable:	6 000 + 2 000 kg	13 230 + 4 400 lb

Leader

Type		Telescopic PM25LC	
Movements	Telescope	4 000 mm	158 in
	Foot (up/down)	1 000/500 mm	40/20 in
	Horizontal	1 500 mm	59 in
Inclinations	According separate capacity tables Electronic inclinometer included		

Undercarriage

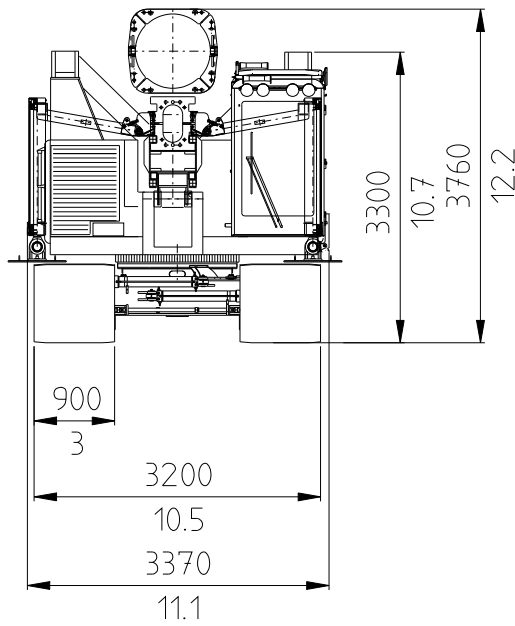
Type		JH57138	
Crawler length		5 760 mm	226.8 in
Crawler type		D57	
Width (900 shoes)	Min:	3 200 mm	126 in
	Max:	4 700 mm	185 in
Track shoe options	Width:	800/900/1 000 mm	31½/35½/39½ in
	Surface:	3-edge / flat edges / flat	
	Edge type:	normal / chamfer / bended	

Accessories

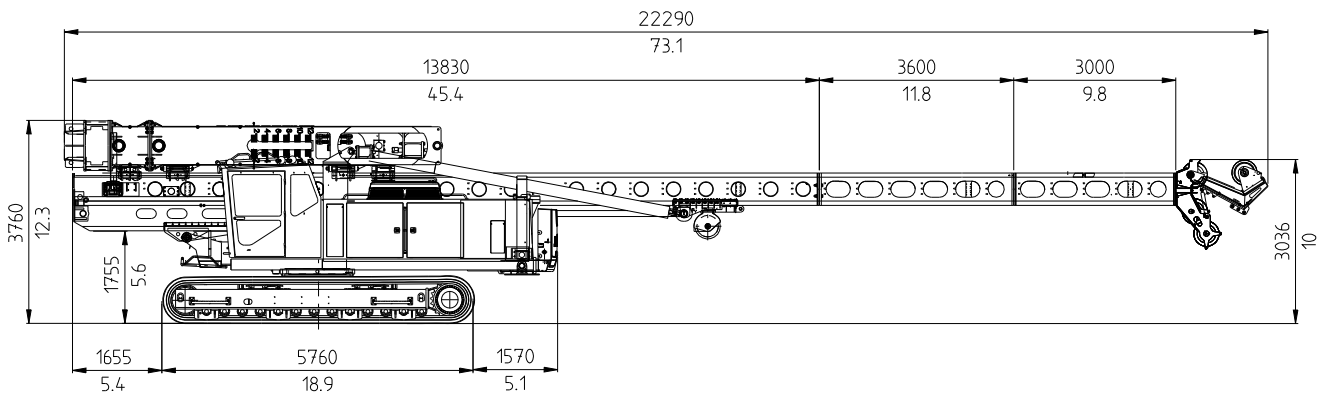
* Side cathead			* iPiler PCD
* Side auger	JD3		* Air conditioning
* Rear support legs			* Auxiliary winch (5 000kg / 11 000 lb)

* Contact Junttan sales for all available options and accessories

Transport Dimension



Minimum track width.



Standard PM25LC transport dimensions with HHK5/7A hammer.

* Final measures depends e.g. on the chosen hammer and the cathead.

Junttan

Junttan Oy
P.O. Box 1702 (Matkuksentie 7)
FI-70701 KUOPIO, Finland

Tel. +358 10 195 221
Fax +358 10 526 2898
junttan@junttan.com